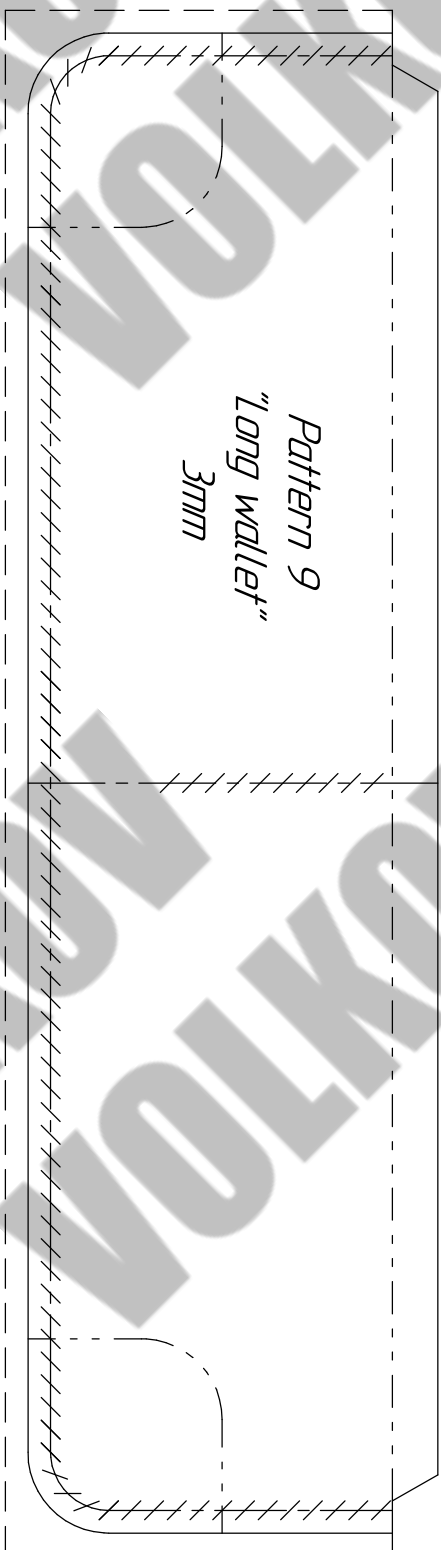
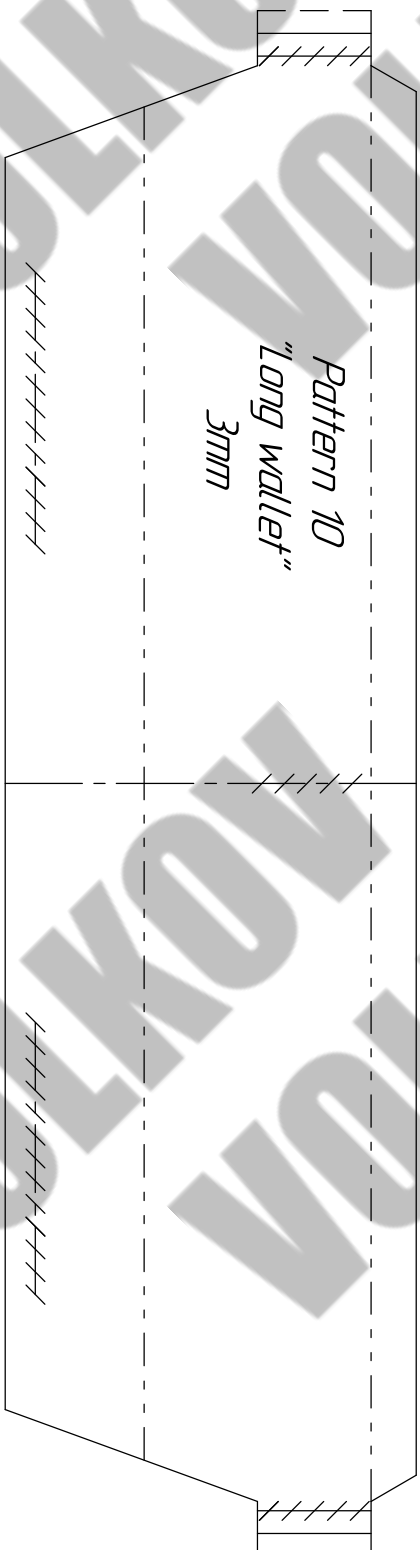


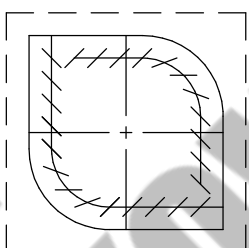
** Do not forget to set the scale 1 when printing.**



Pattern 9
"Long wallet"
3mm

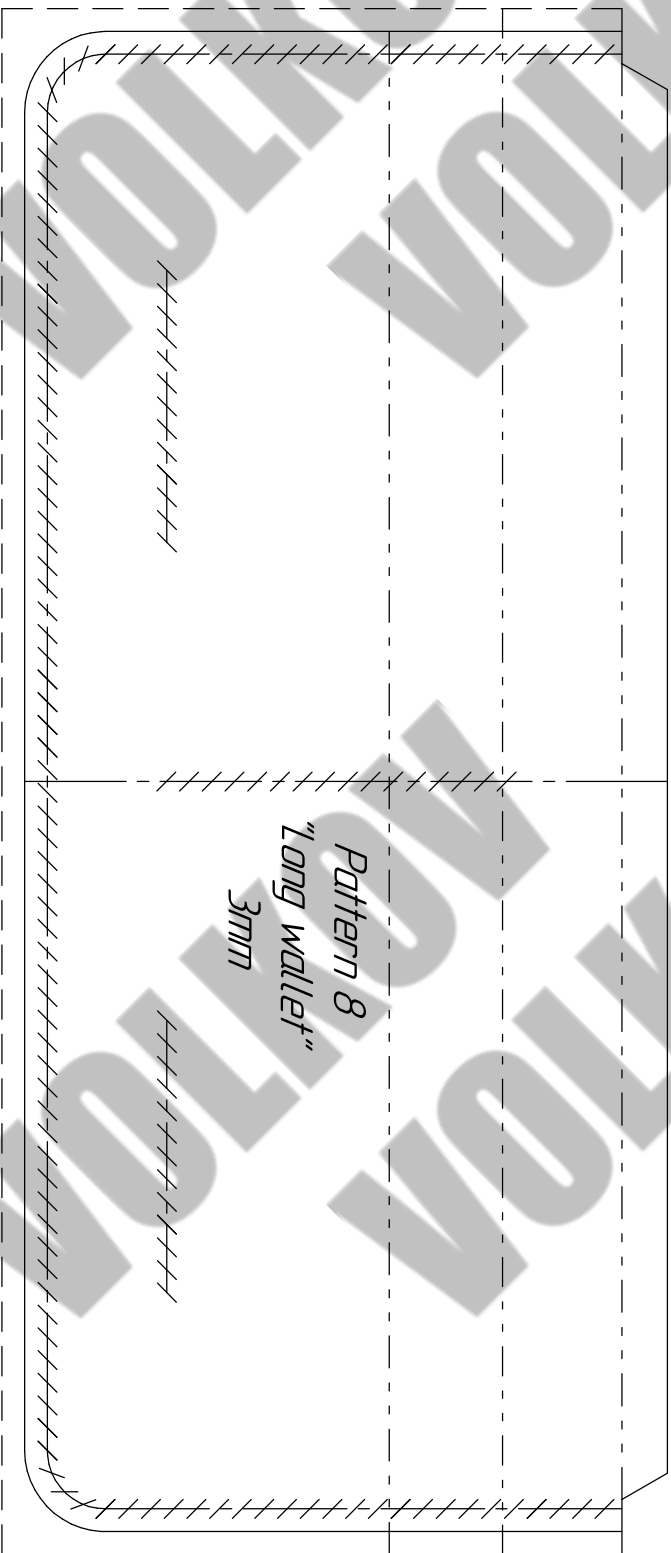
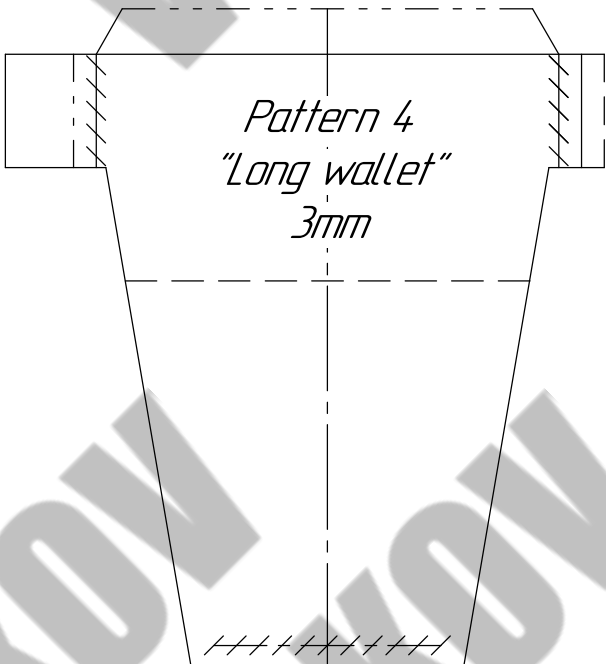
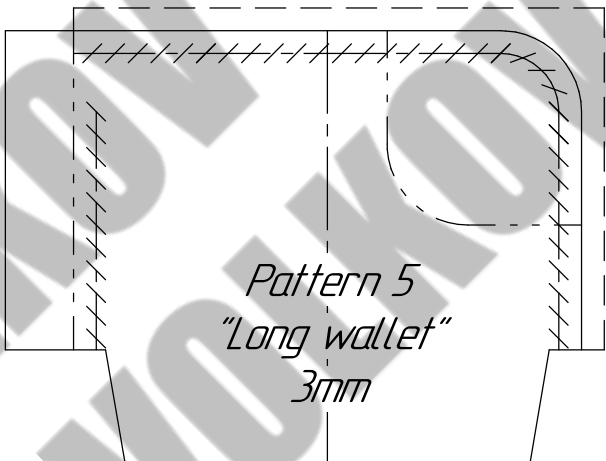
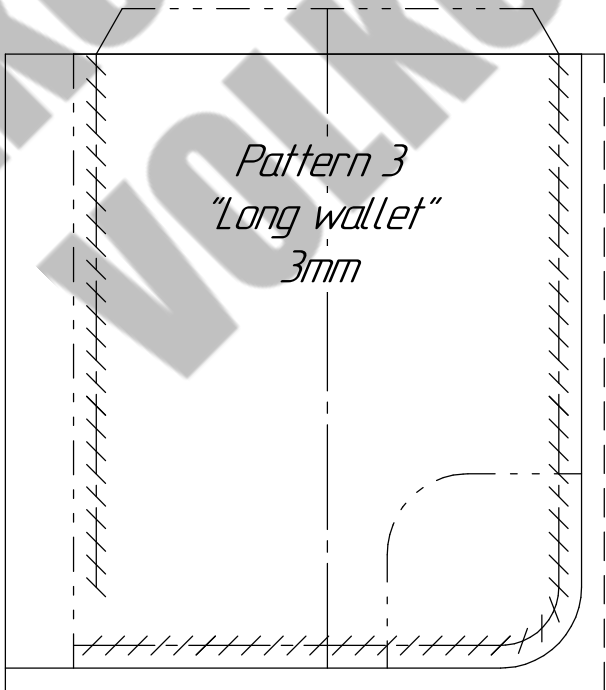


Pattern 10
"Long wallet"
3mm

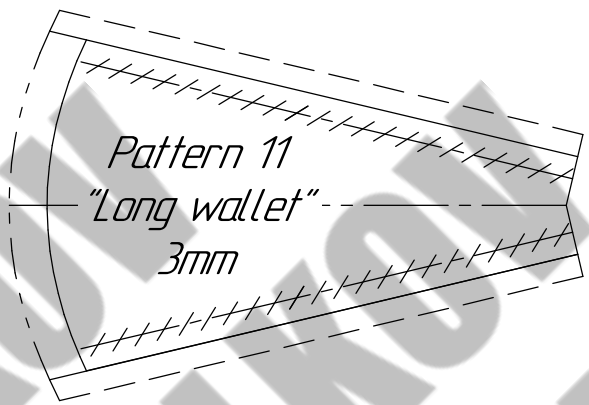
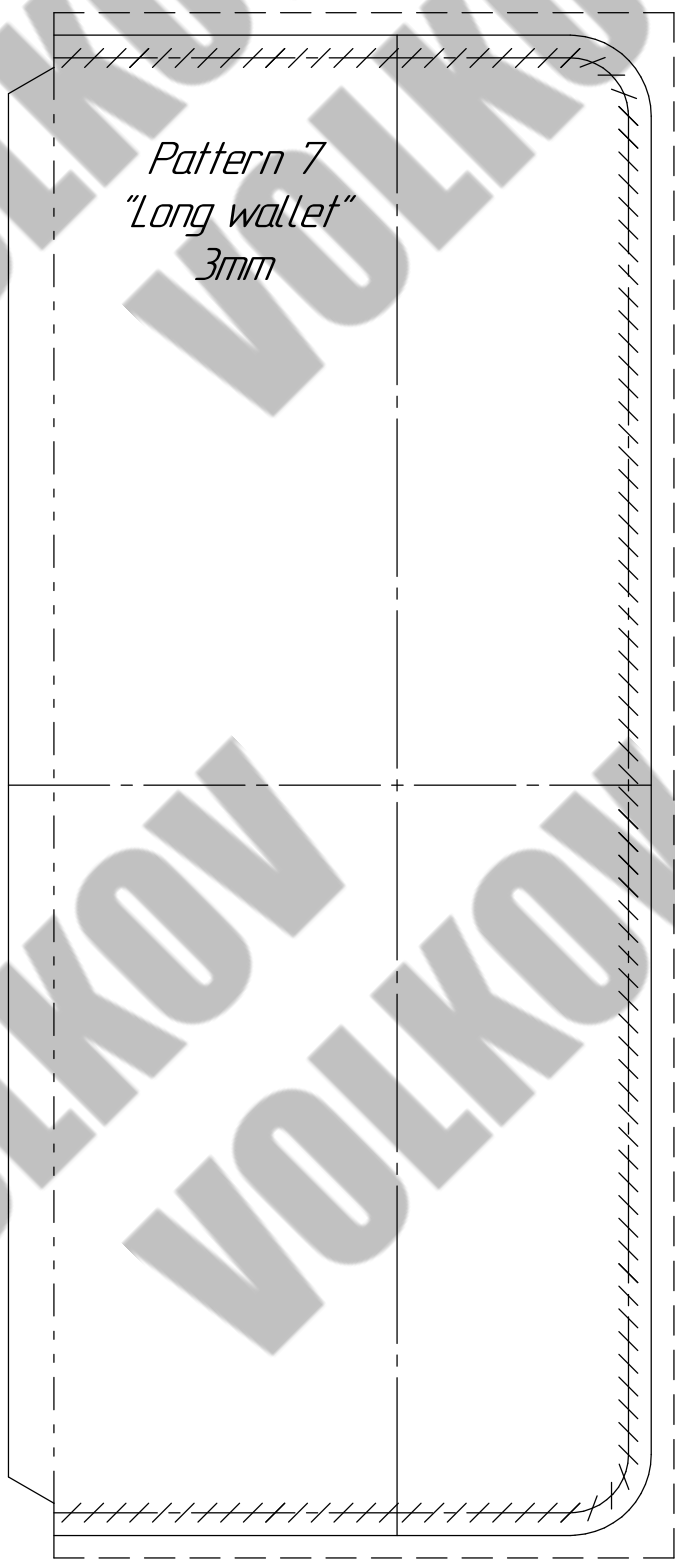
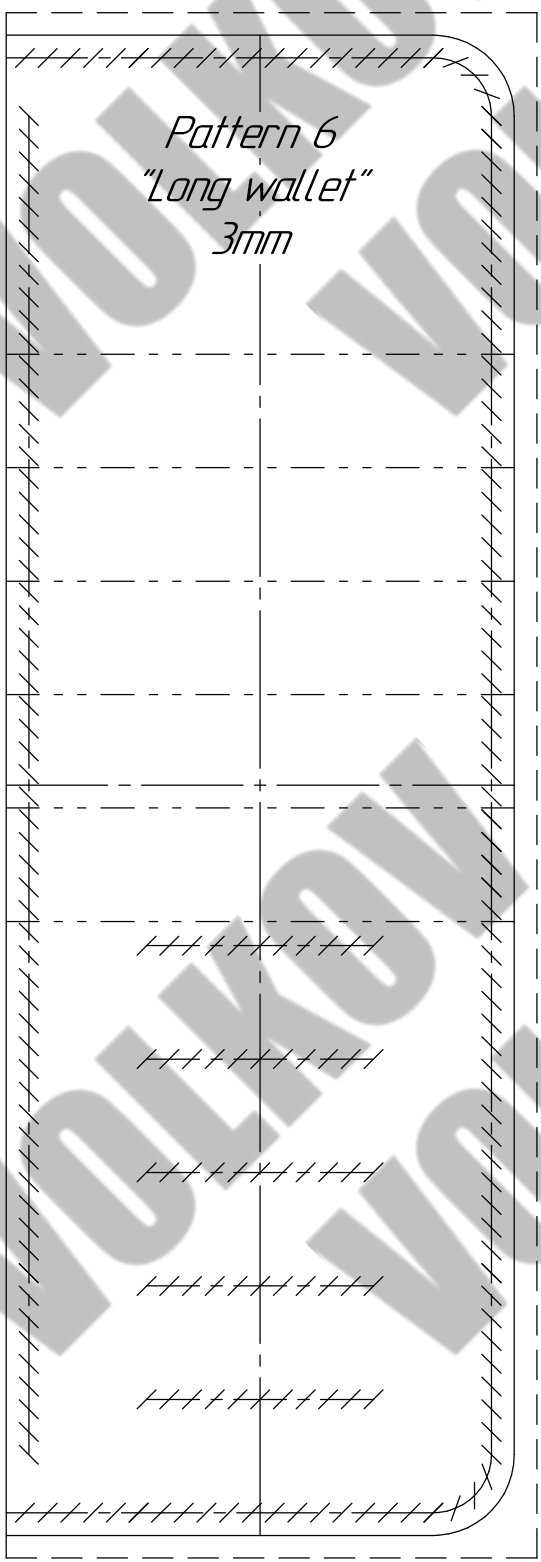


Pattern 12
"Long wallet"
3mm

** Do not forget to set the scale 1 when printing. **



** Do not forget to set the scale 1 when printing. **



** Do not forget to set the scale 1 when printing. **



Made by VOLKOV



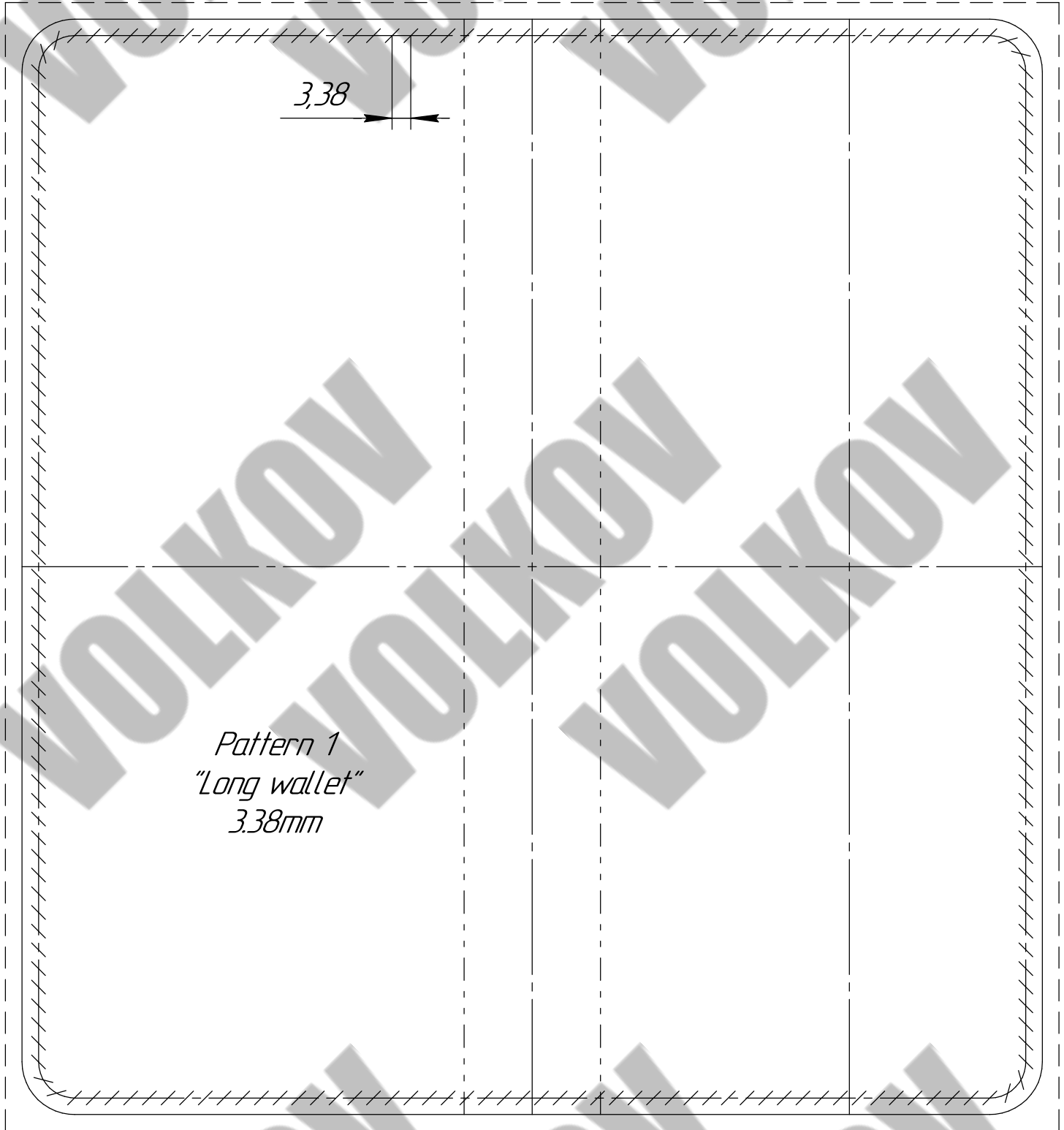
vk.com/volkov.leather.moscow



[volkov.leather.moscow](https://www.instagram.com/volkov.leather.moscow)

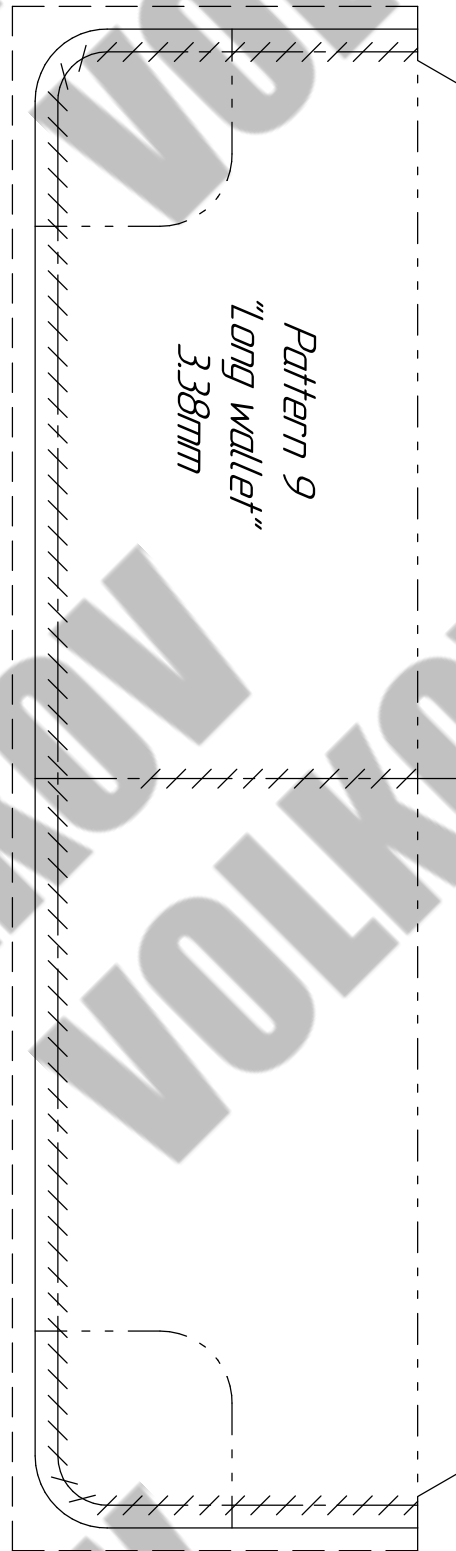
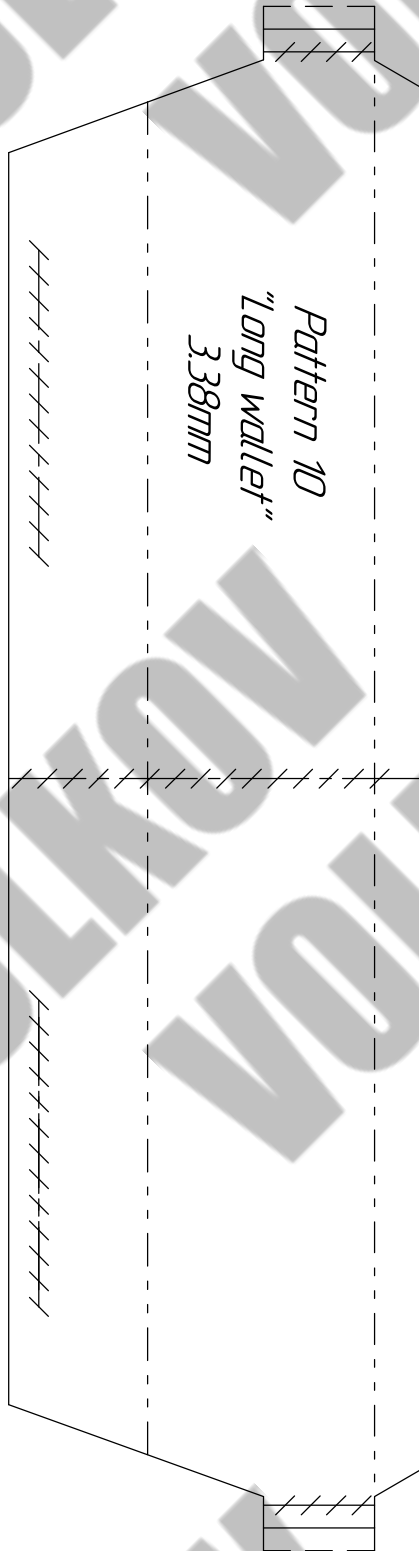
Pattern 2
"Long wallet"
3mm

** Do not forget to set the scale 1 when printing.**

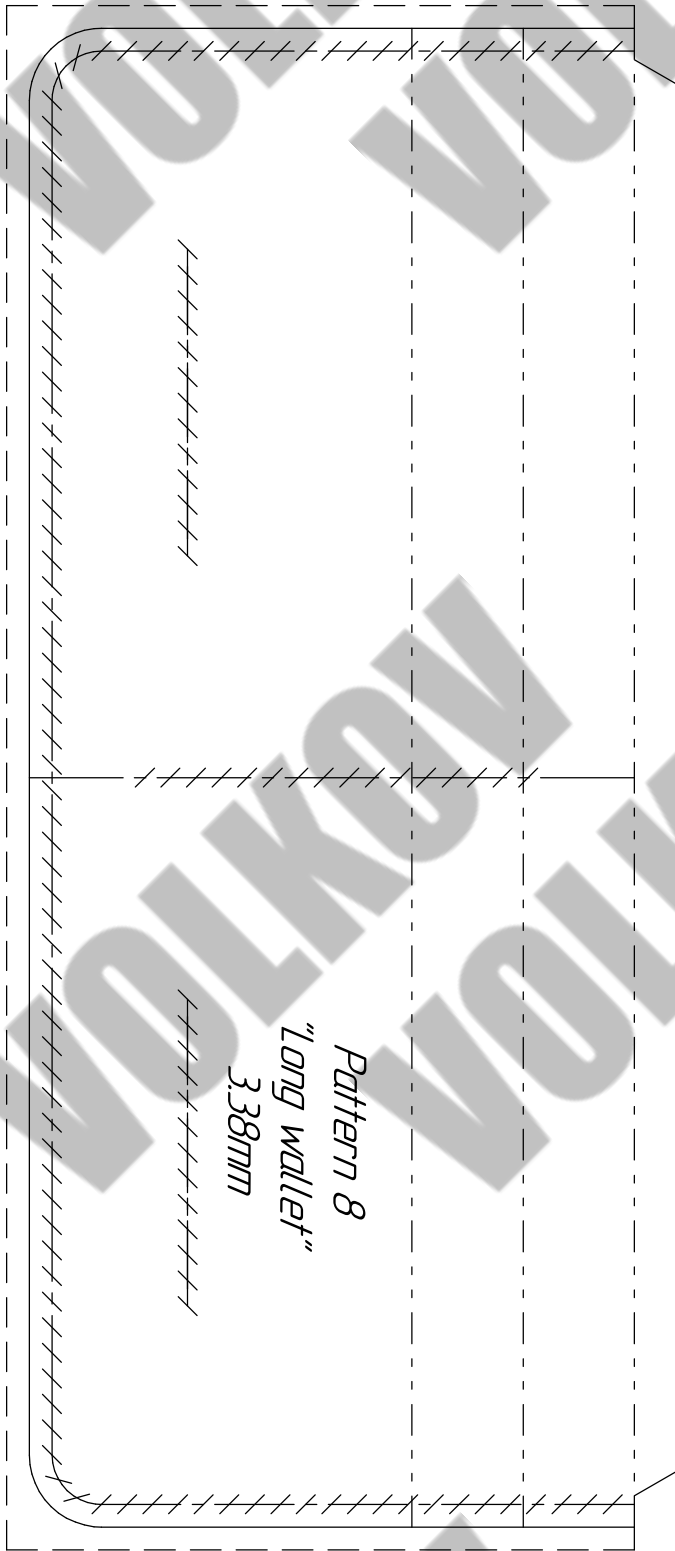


*Pattern 1
"Long wallet"
3.38mm*

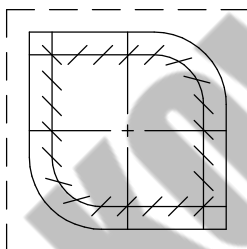
** Do not forget to set the scale 1 when printing.**



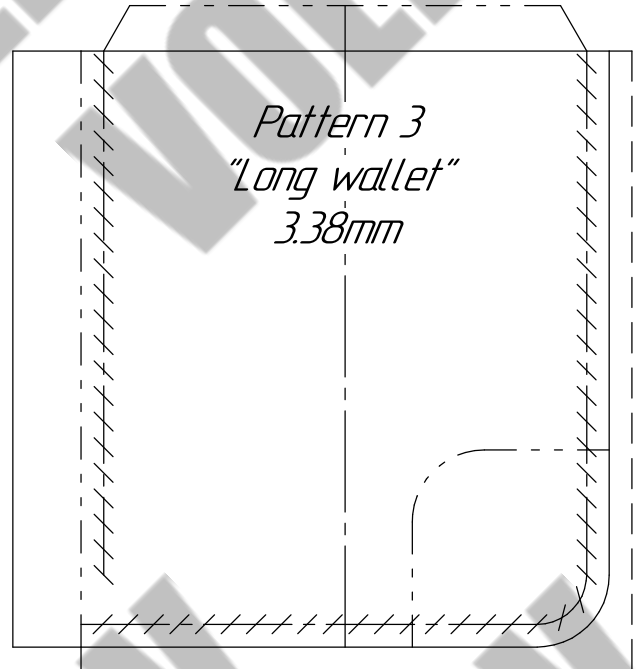
** Do not forget to set the scale 1 when printing.**



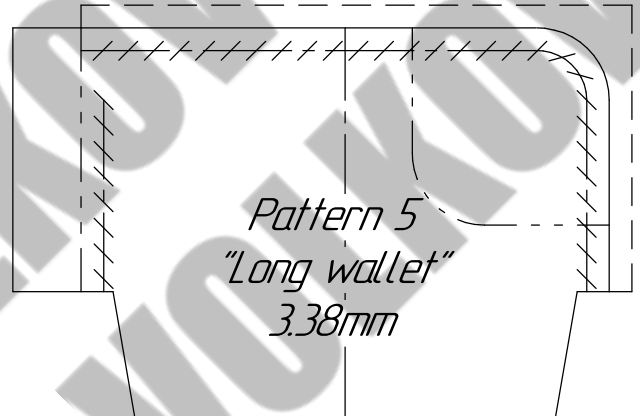
Pattern 8
"Long wallet"
3.38mm



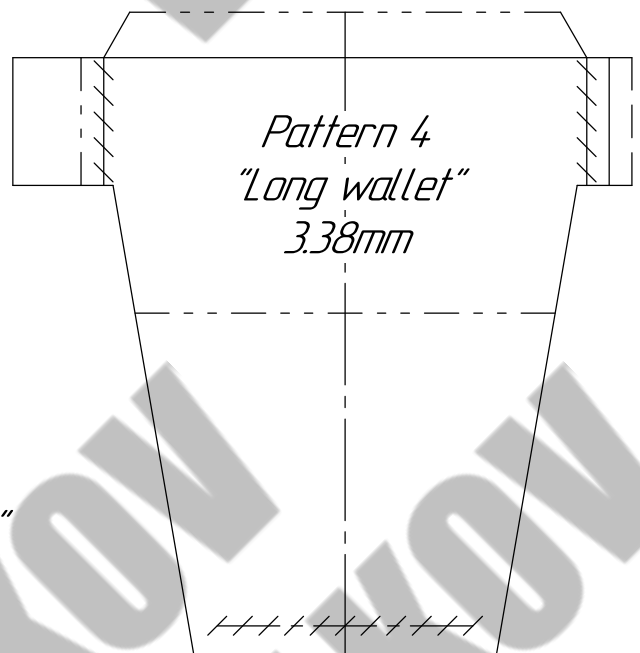
Pattern 12
"Long wallet"
3.38mm



Pattern 3
"Long wallet"
3.38mm

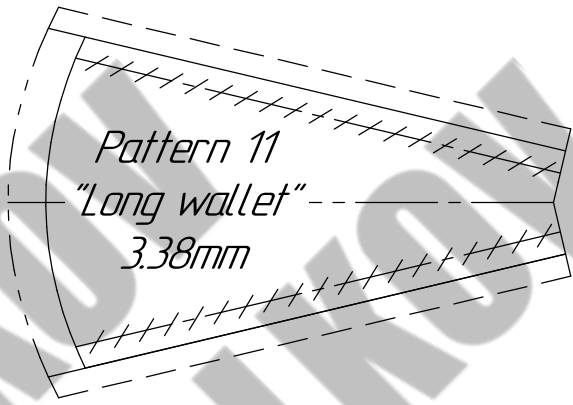
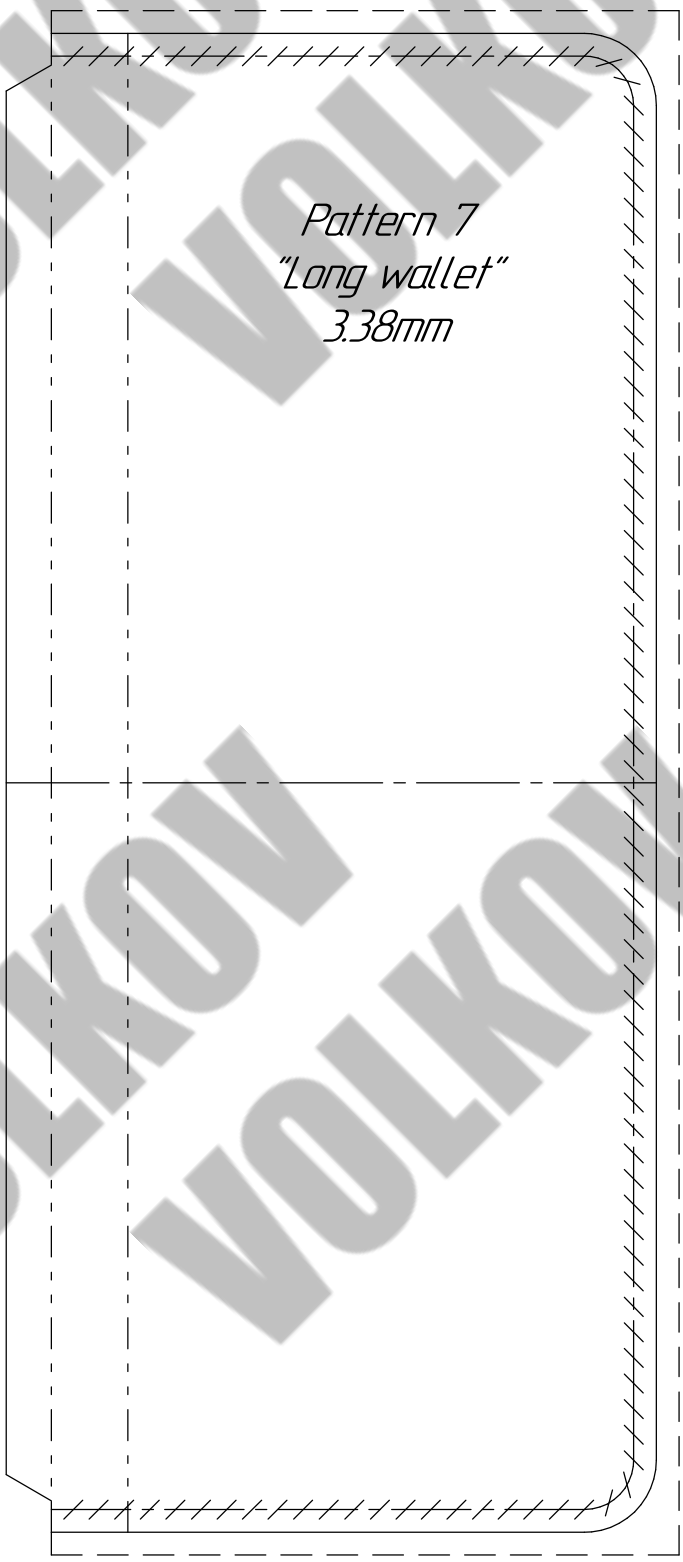
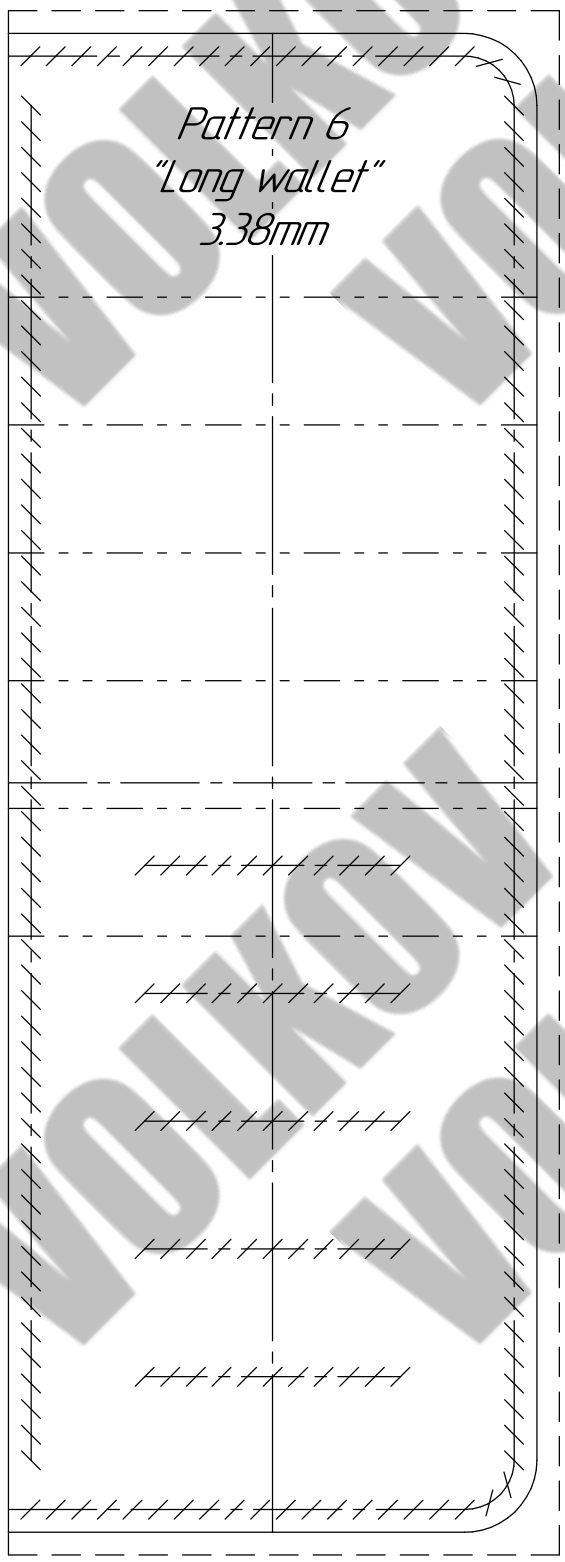


Pattern 5
"Long wallet"
3.38mm



Pattern 4
"Long wallet"
3.38mm

** Do not forget to set the scale 1 when printing.**



** Do not forget to set the scale 1 when printing. **

*Pattern 2
"Long wallet"
3.38mm*

** Do not forget to set the scale 1 when printing.**