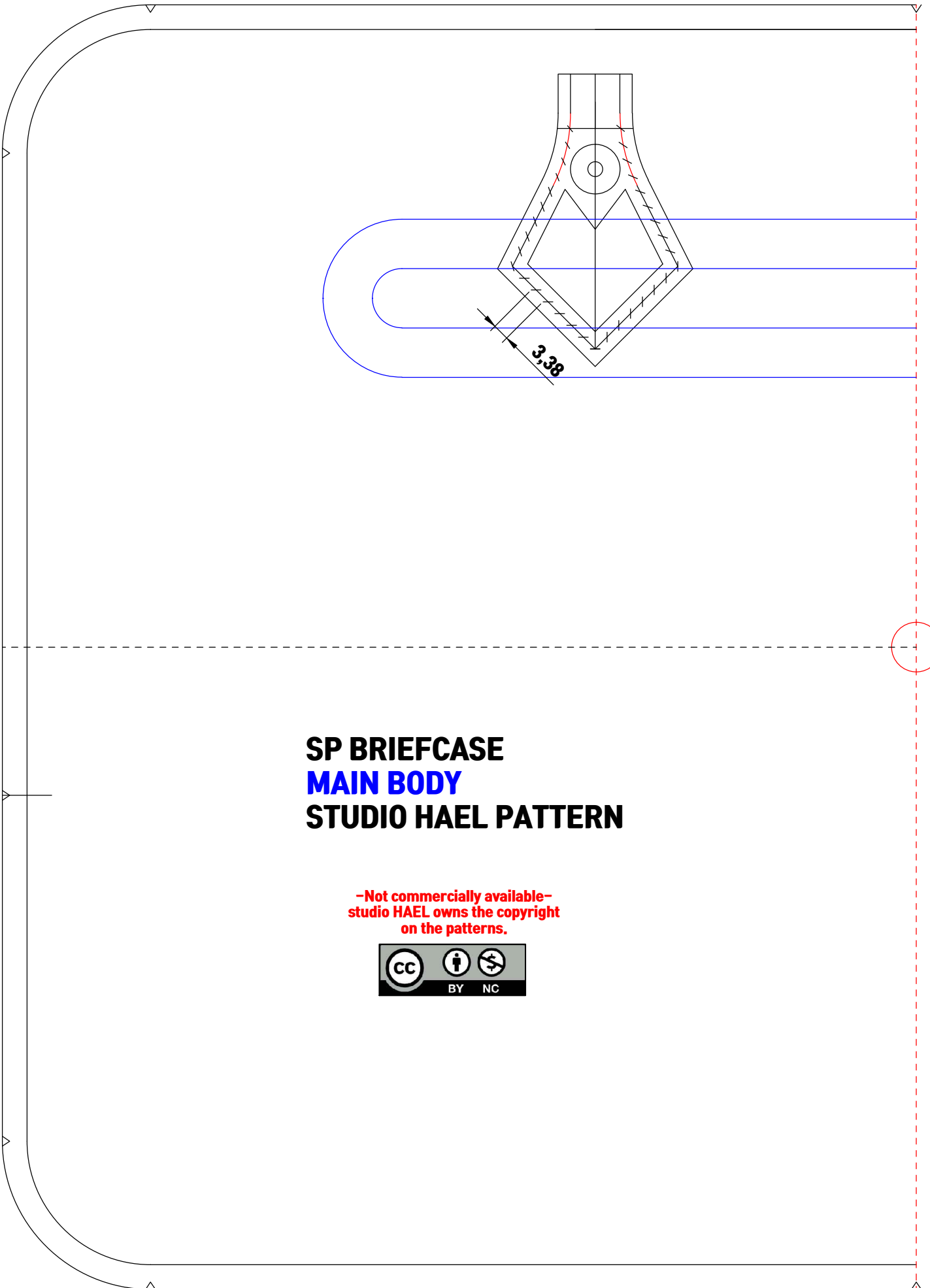


50 50mm(actual size)

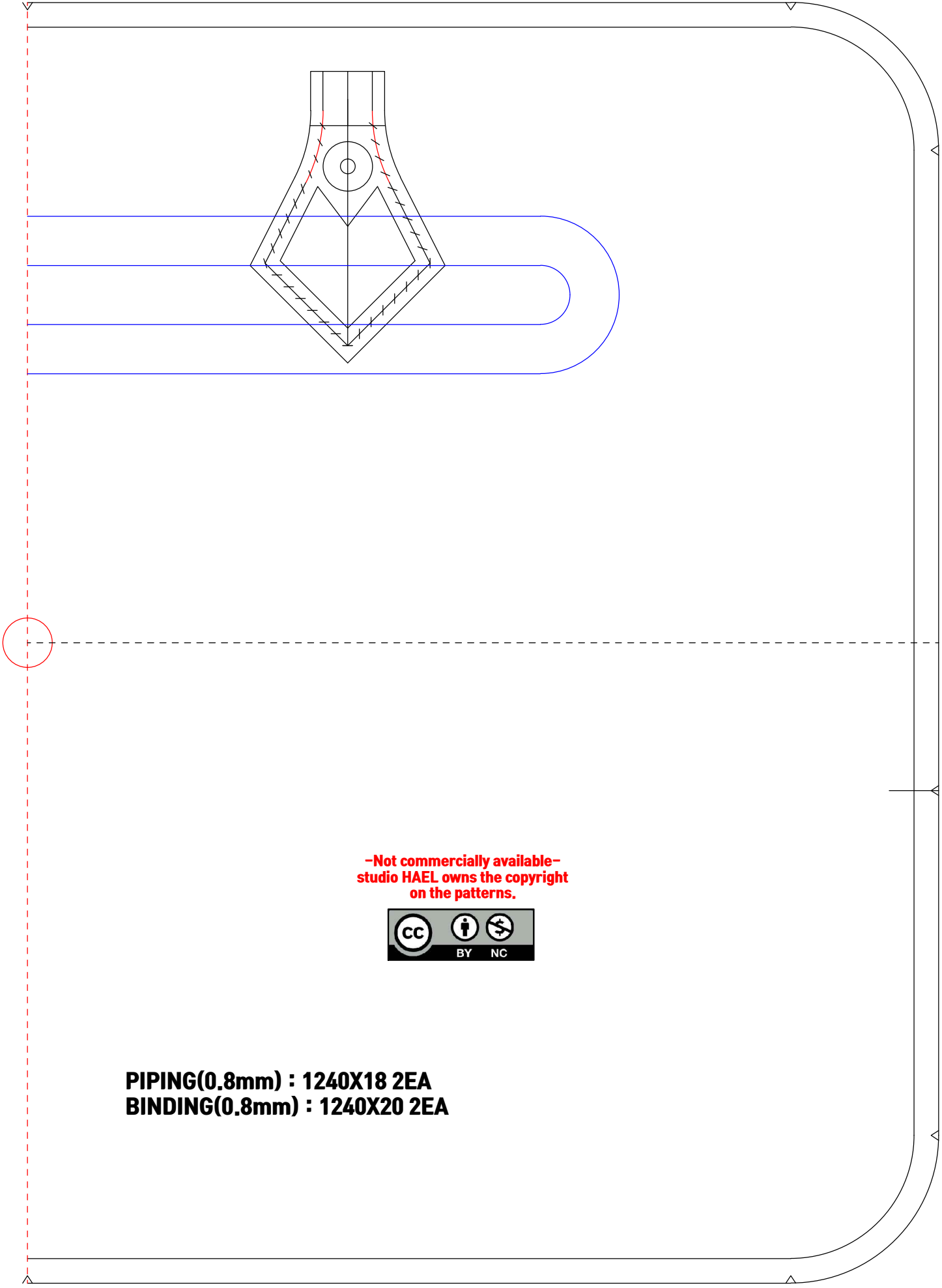


SP BRIEFCASE
MAIN BODY
STUDIO HAEL PATTERN

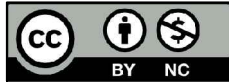
**-Not commercially available-
studio HAEL owns the copyright
on the patterns.**



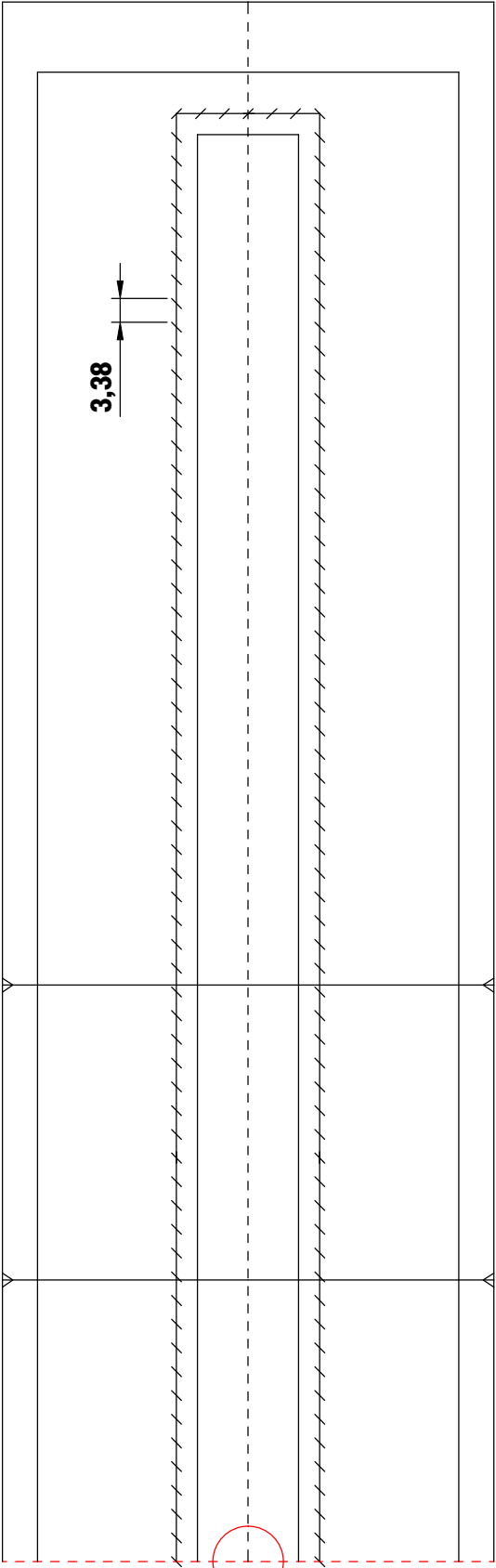
50mm(actual size)



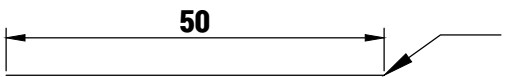
**-Not commercially available-
studio HAEL owns the copyright
on the patterns.**



**PIPING(0.8mm) : 1240X18 2EA
BINDING(0.8mm) : 1240X20 2EA**



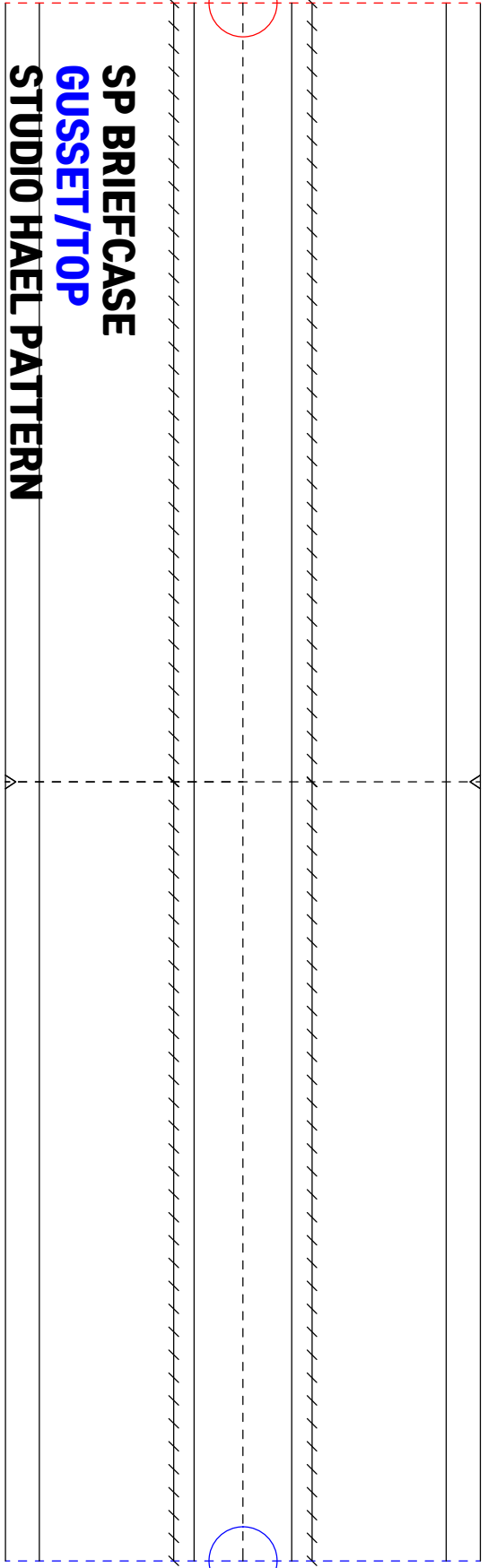
3,38



50

50mm(actual size)

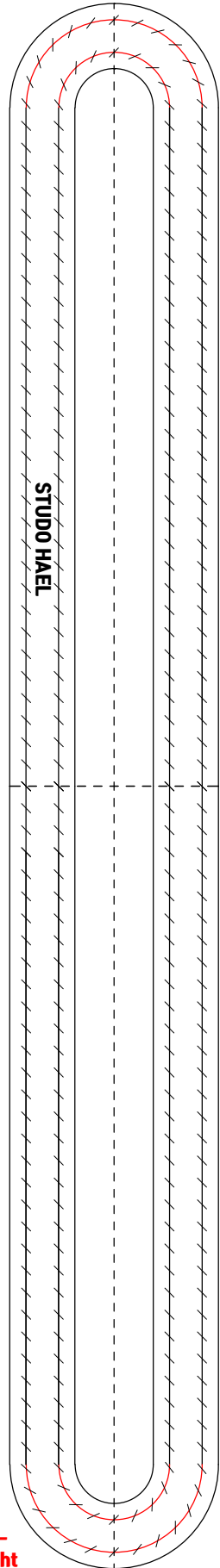
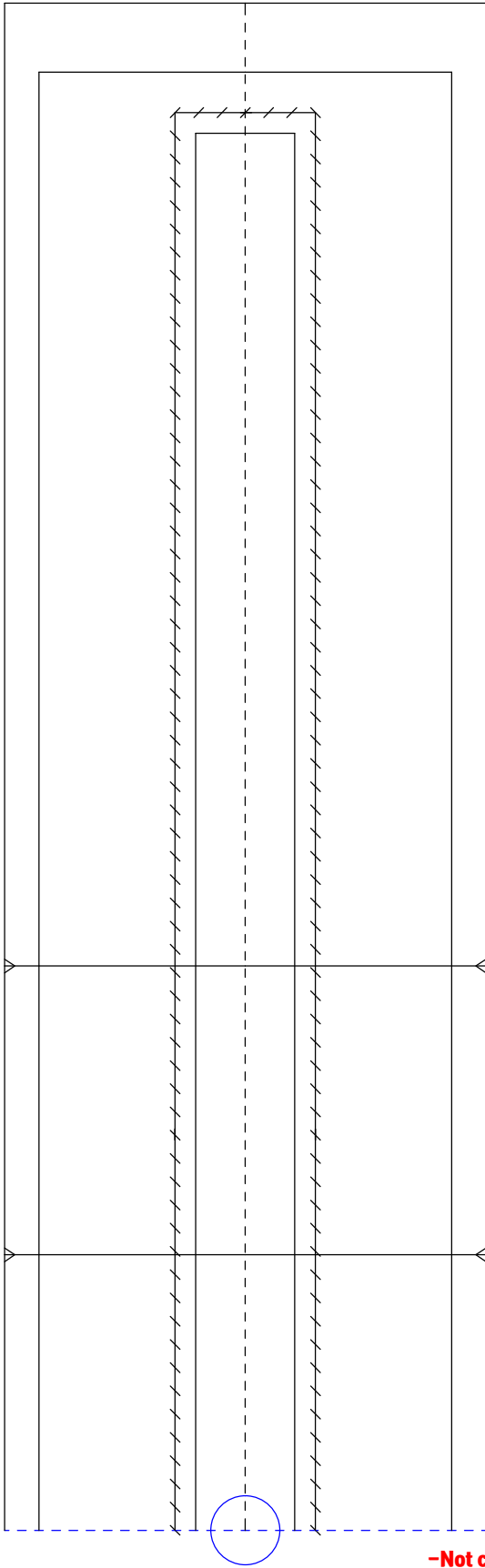
SP BRIEFCASE
GUSSET/TOP
STUDIO HAEL PATTERN



**-Not commercially available-
 studio HAEL owns the copyright
 on the patterns.**



50 50mm(actual size)

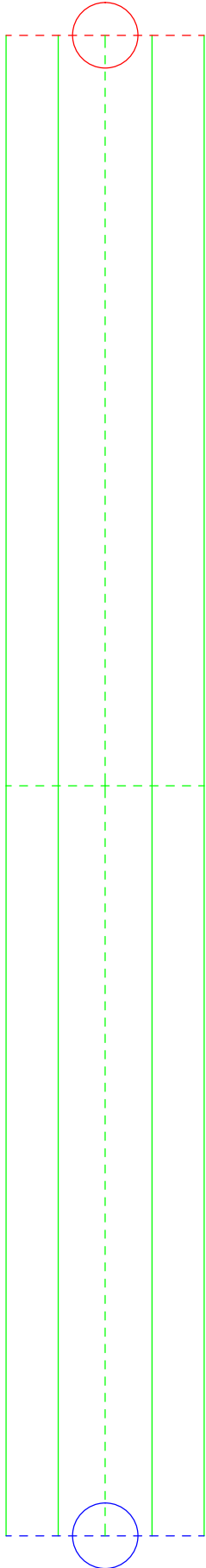


-Not commercially available-
studio HAEL owns the copyright
on the patterns.

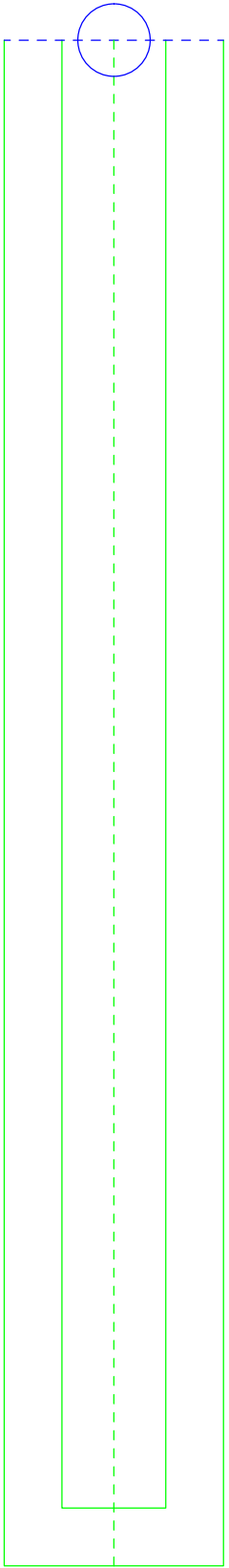




50



50mm(actual size)



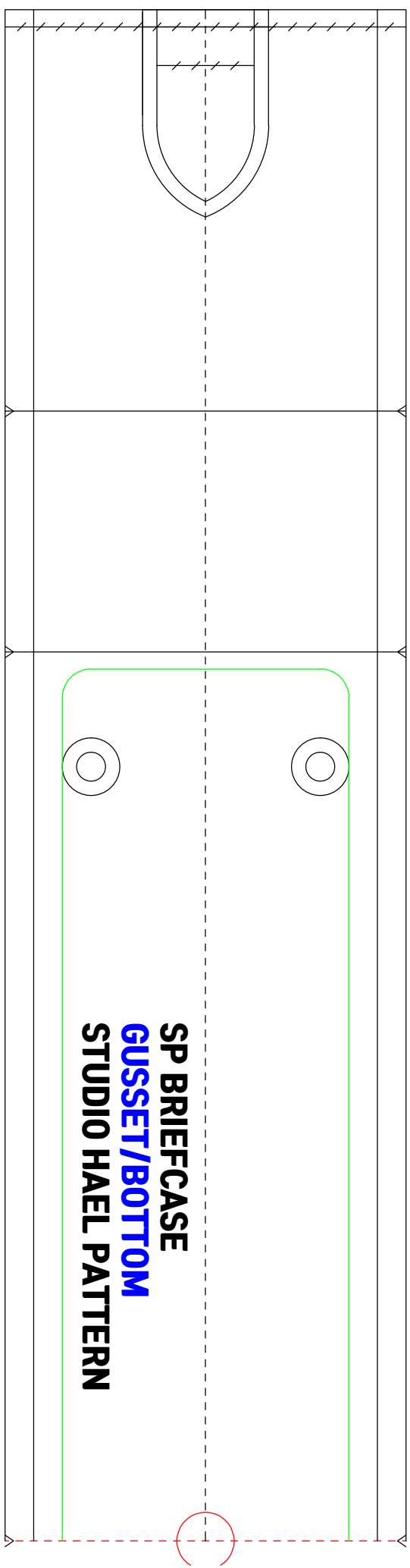
-Not commercially available-
studio HAEL owns the copyright
on the patterns.



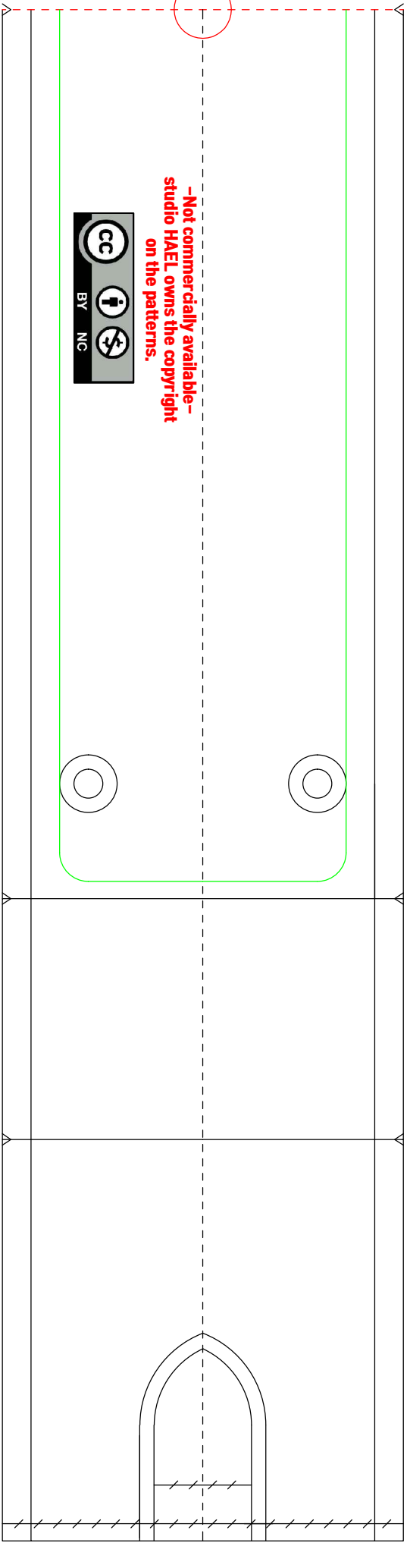


50

50mm(actual size)

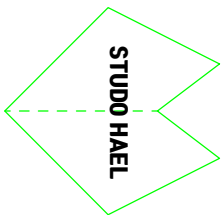
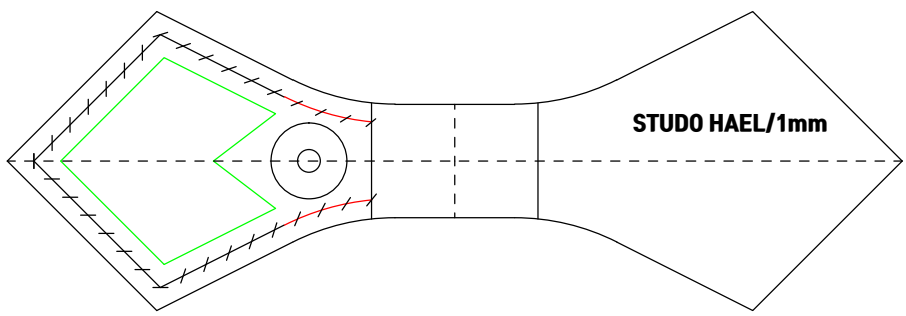
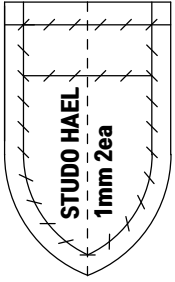
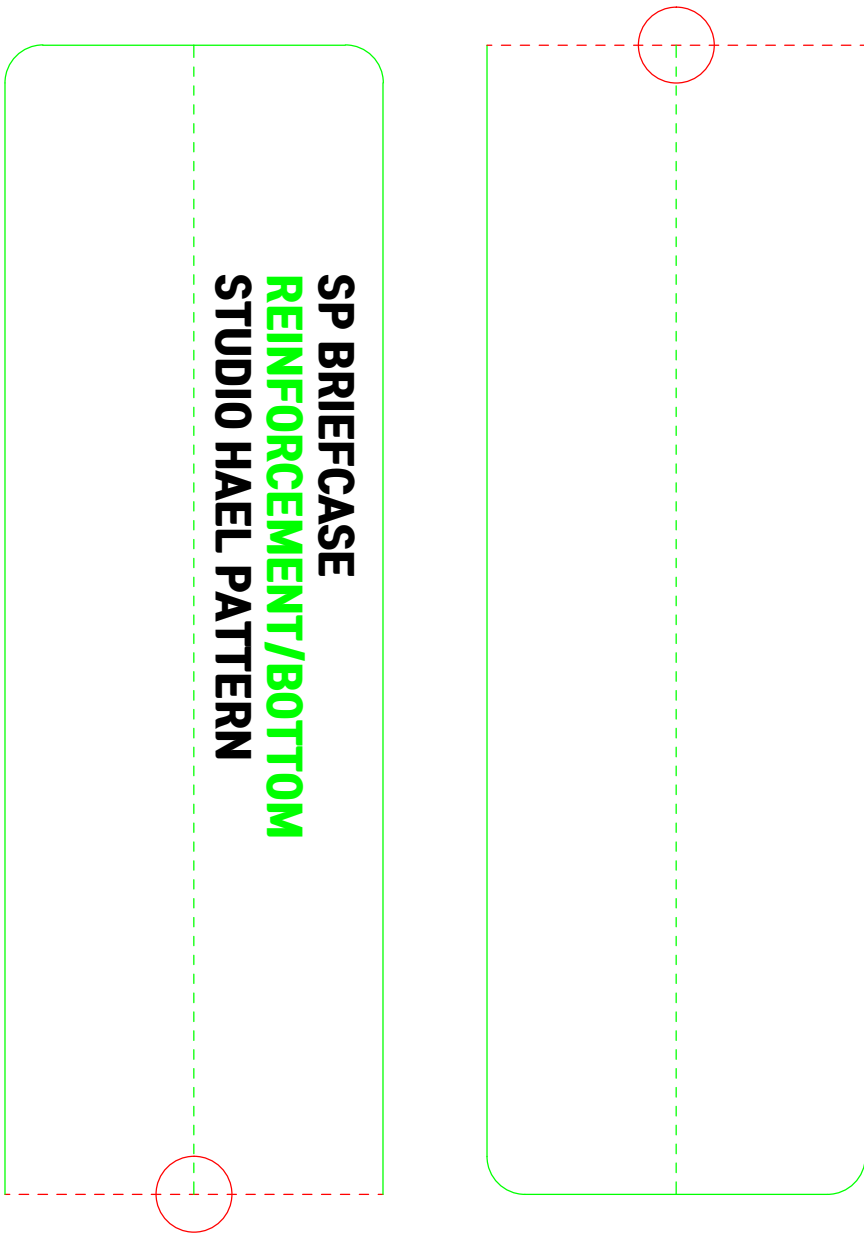


**SP BRIEFCASE
GUSSET/BOTTOM
STUDIO HAEL PATTERN**



**-Not commercially available-
studio HAEL owns the copyright
on the patterns.**



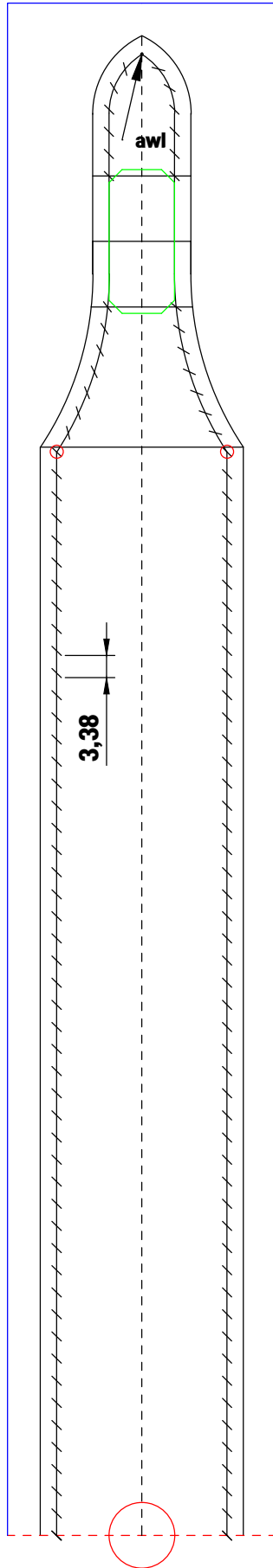
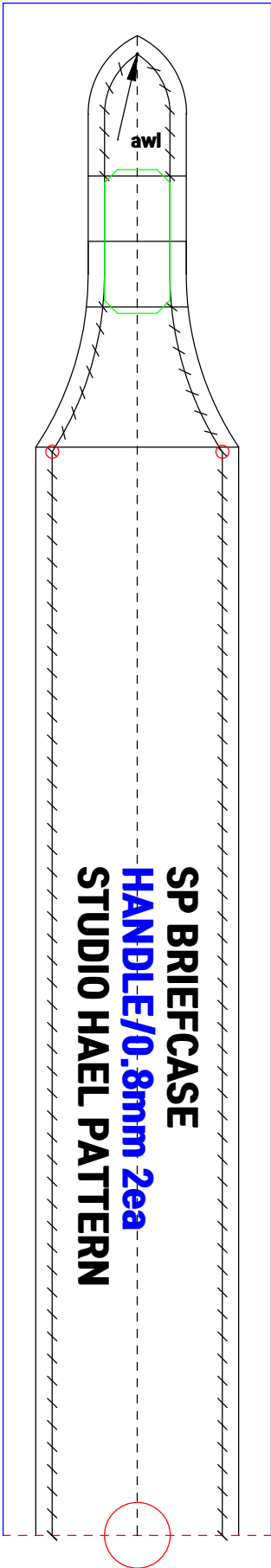


50 **50mm(actual size)**

**-Not commercially available-
studio HAEL owns the copyright
on the patterns.**



50 50mm(actual size)



-Not commercially available-
studio HAEL owns the copyright
on the patterns.

