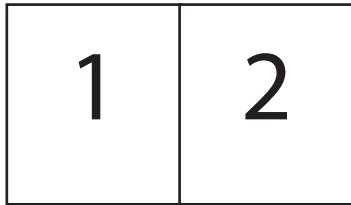


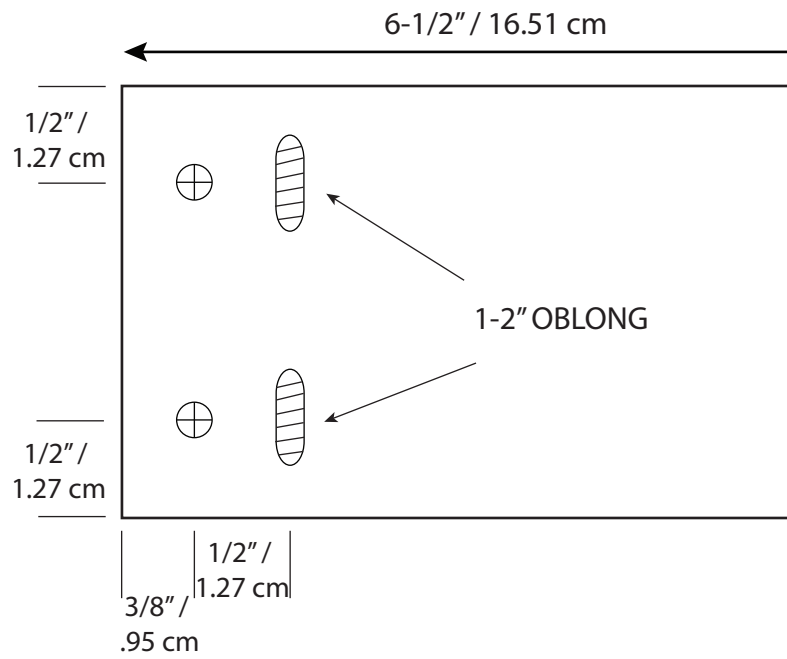
Print at 100%,
Two 8-1/2 x 11 Pages
Line Up End to End in this Order
for Pattern



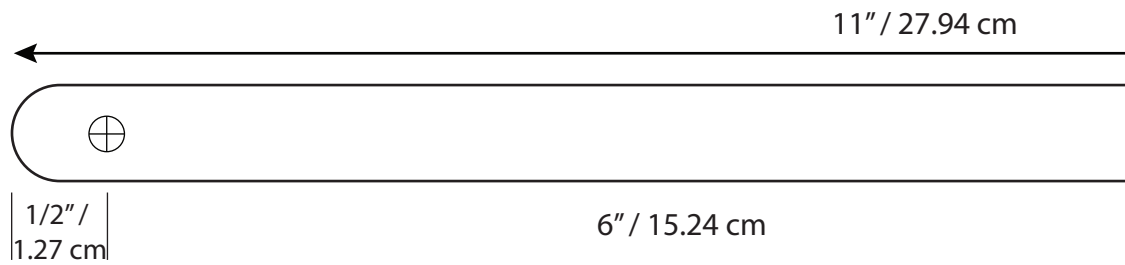
↑
May have white areas between pages just
continue line work with pencil or pen,
do not overlap

MAIN BODY X 2

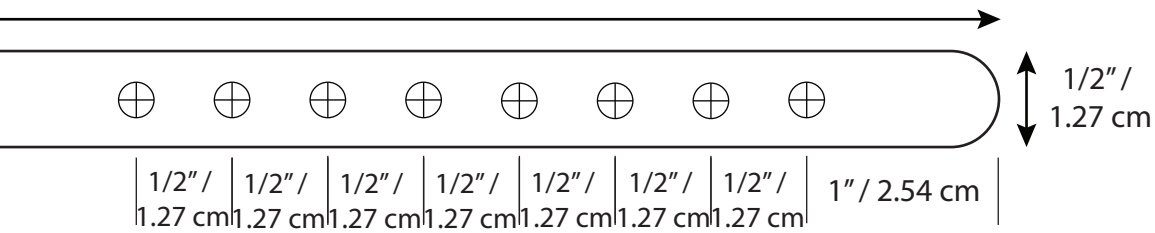
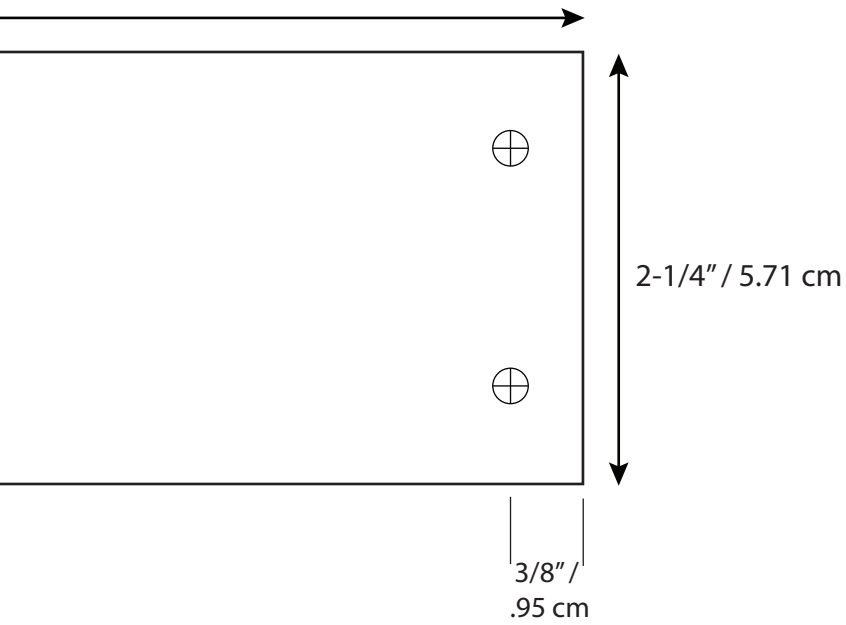
1



STRAP X 4



2



BUCKLE BILLET X 4

